

Discover the ALTA Difference

ENTERPRISES, INC.



ENTERPRISES, INC.

A PLAYCORE Company

7100 Spectrum Lane Missoula, MT 59808 | 800.624.1235 | www.altapoolcovers.com

Alta Enterprises' 350 Series Stainless Steel Manual Storage Reel System

The blanket storage reel system assembly shall be portable, and consist of two side frames, side supports, three storage tubes, tube crank handle, transport casters and a braking system. It shall have a minimum storage capacity of 492-linear feet or 9,840 square feet of energy saving blankets.

Side Frames

The reel assembly shall have two (2) side frames. Each fabricated from square tubing 2.00" x 0.120" wall thickness, type 304 stainless steel powder coated matte black

Side Supports

The side frames shall be connected by two- (2) 2" x 1" x 0.065" wall thickness square tube supports. Side supports shall be fabricated of type 304 stainless steel powder coated matte black

Storage Tubes

The blanket storage reel system shall facilitate three (03) storage tubes. The tubes shall be fabricated of 5.00" x 0.083" wall, 304 stainless steel, which is 23% lighter and stiffer than 4.50" x .120" pipe. The storage reel shall have a 180 grit polish. Storage reel shall be supported by a solid 1.00" x 6.00" stainless steel shaft welded to two .25" thick end caps, one at the internal end of the shaft and one at the midpoint of the shaft, to ensure proper lateral support of the shaft. Caps are to be welded to the storage reel; mechanical attachment methods will not be accepted. Bolted to bearing flange shall be an aluminum bearing housing with a self lubricating, non corrosive UHMW bearing. The blanket storage reel assembly shall be supplied with one (01) 304 stainless steel crank handle.

Casters

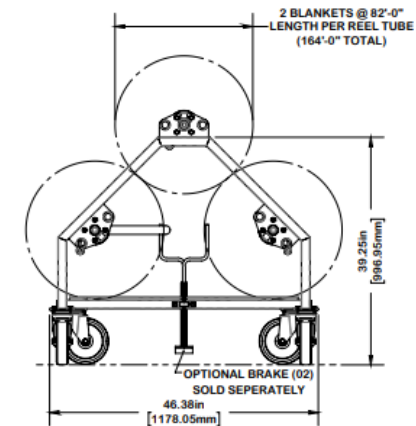
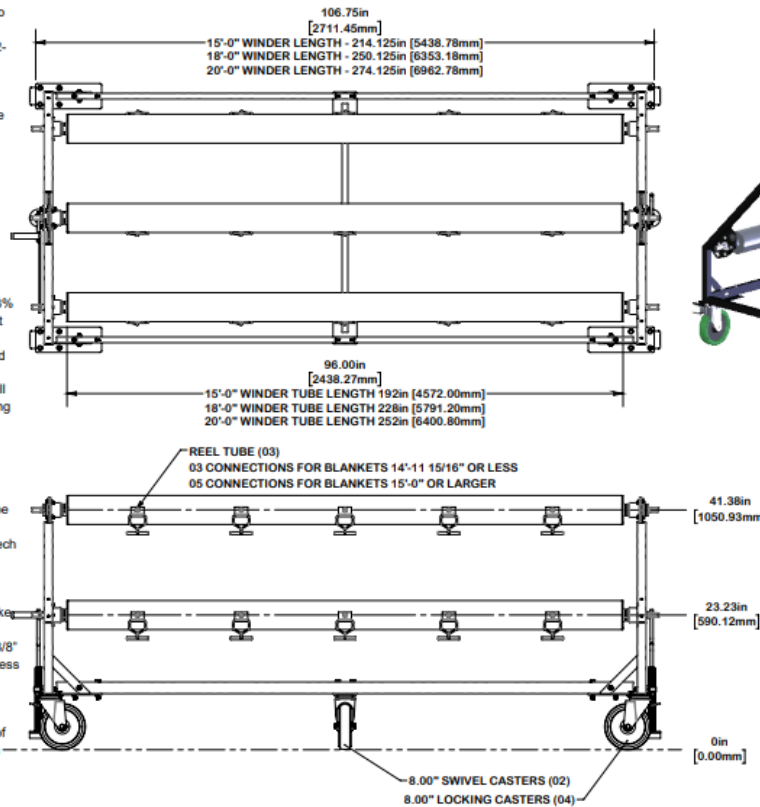
Deck Reel shall come with six (06) casters that shall be of stainless steel construction with 8" solid 60 durometer Polyurethane wheels. Top plate shall be 4" x 4 1/2" x 1/2" stainless steel. Caster and wheel shall have stainless steel bearings and axels along with Delrin bushings. Four (04) casters shall have Tech Lock brake for ease of use.

Brake Assembly

Deck reel can have, as an option, in addition to locking casters a retaining brake. The brake shall be a threaded screw with a 4" x 4 1/2" x 3/8" stainless plate for support. The threaded screw shall be 12" long with a Delrin foot measuring 2 3/8" diameter with a 1 1/2" height. The threaded screw shall have a 3 1/2" x 3 1/2" stainless steel L shaped handle.

Storage Reel and Blanket Cover

A storage reel sun cover is an available option. The cover shall be fabricated of twelve by twelve woven polyethylene fabric that is to be double coated with an ultraviolet inhibiting film. The cover shall protect the blanket assemblies for premature wear and ultraviolet degradation.



SPECTRUM
 Aquatics

A PLAYCORE Company

7100 Spectrum Lane Missoula, Montana 59808
 800.791.8056 www.spectrumaquatics.com

ENGINEERING DATA

PRODUCT:	ALTA - TRIPLE DECK REEL -		
MODEL #:	175513	CATALOG #:	N/A
MATERIAL:	304L STAINLESS STEEL		
FINISH #:	POWDER COAT: BLACK MATTE		
REVISION:	A		

NOTE:

△ DIMENSIONS VARY WITH SPECIFIC APPLICATIONS. SPECIFICATIONS ARE NOMINAL AND ARE SUBJECT TO CHANGE. PLEASE CONTACT SPECTRUM AQUATICS FOR CUSTOM APPLICATIONS

◆ STORAGE CAPACITY OF 492 LINEAR FEET OR 9,840 SQR. FT. ◆ TOTAL WEIGHT CAPACITY OF 1,562 LBS.